

SHARP

PN-E702
PN-E602
LCD MONITOR

Streamlined, Versatile, Energy Efficient— Another Exceptional LCD Monitor from Sharp



As a durable, energy-efficient 70/60-inch digital signage solution with full-HD resolution and remarkable image quality, the PN-E702/E602 professional LCD monitor is truly effective in offices, conference rooms, stores, public spaces, and a host of other indoor venues. Exceptionally lightweight and thin—only about 100/86 mm at its thickest point—the PN-E702/E602 boasts a streamlined design that brings expanded opportunities for easy and stylish installation. What's more, the PN-E702/E602 provides around-the-clock operation and employs LED backlighting for outstanding energy efficiency.

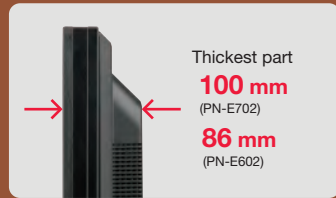
Breathtaking Image Quality

The PN-E702/E602's 70/60-inch LCD panel incorporates Sharp's **UV²A*** technology, which ensures highly efficient use of light from the backlight and prevents light leakage for the display of truly bright whites, amazingly vivid colours, and extremely deep blacks. The PN-E702/E602 also boasts 1,920 (H) x 1,080 (V)-pixel **full-HD resolution** to ensure that none of the detail or visual impact is lost. Thanks to full-HD resolution, everything from fine text to intricate graphics is stunningly crisp and clear.

* UV²A stands for "Ultra-violet-induced Multi-domain Vertical Alignment," a photo-alignment technology that ensures uniform alignment of liquid crystal molecules in a certain direction.

Thin, Streamlined Design

This stylishly thin monitor measures only **100 mm** (PN-E702) / **86 mm** (PN-E602) at its thickest point. Streamlined for a pleasing appearance and minimal protruding parts, the PN-E702/E602 can be attractively mounted on a wall in landscape or portrait mode.



(Image: PN-E702)

Specifications

Model Name	PN-E702	PN-E602
Installation	Landscape / Portrait	
LCD Panel	70-inch widescreen (176.6 cm diagonal) UV ² A LCD	60-inch widescreen (152.5 cm diagonal) UV ² A LCD
Max. Resolution	1,920 x 1,080 pixels	
Max. Display Colours (approx.)	1,064 million colours	
Pixel Pitch (H x V)	0.802 x 0.802 mm	0.692 x 0.692 mm
Max. Brightness* ¹	450 cd/m ²	
Contrast Ratio	4,000 : 1	
Viewing Angle (H/V)	176°/176° (CR ≥ 10)	
Active Screen Area (W x H)	1,538.9 x 865.6 mm (60 9/16" x 34 1/16")	1,329.1 x 747.6 mm (52 5/16" x 29 7/16")
Response Time	6 ms (gray to gray, avg.)	
Backlight	White LED, full array	White LED, edge lit
Computer Input	Video	Analogue RGB (0.7 Vp-p) [75Ω], Digital (conforms to DVI 1.0 standards)
	Synchronisation	Horizontal/vertical separation (TTL: positive/negative), Sync on green, Composite sync (TTL: positive/negative)
	Plug & Play	VESA DDC2B
	Power Management	VESA DPMS, DVI DMPM
Video Colour System	With Optional PN-ZB01	NTSC (3.58 MHz, 4.43 MHz), PAL, PAL60, SECAM
Input Terminals* ²	Standard	PC analogue: Mini D-sub 15-pin x 1, HDMI x 1* ³ , 3.5 mm-diameter mini stereo jack x 1, RS-232C D-sub 9-pin x 1
	With Optional PN-ZB01	PC digital: DVI-D 24-pin x 1, PC analogue: BNC x 1* ⁴ , Video: BNC x 1, S-Video x 1, Component video: BNC (Y, Cb/Pb, Cr/Pr) x 1* ⁴ , Audio: RCA pin (L/R) x 2
Output Terminals	Standard	Audio: RCA pin (L/R) x 1, RS-232C D-sub 9-pin x 1
	With Optional PN-ZB01	PC digital: DVI-D 24-pin x 1, External speakers: 7W + 7W (6Ω)
Input/Output Terminals	With Optional PN-ZB01	LAN port
Speaker Output	7 W + 7 W	
Power Supply	100V – 240V AC, 50/60 Hz	
Power Consumption	240 W	170 W
Environmental Conditions	Operating Temperature	0°C to 40°C
	Operating Humidity	20% to 80% RH
Dimensions (W x D x H) (approx.) (display only)	1,615 x 100 x 947 mm	1,407 x 86 x 817 mm
Weight (not including PN-ZB01) (approx.)	50 kg	38 kg

*¹ Brightness will depend on input mode and other picture settings. Brightness level will decrease over time. Due to the nature of the equipment, it is not possible to precisely maintain a constant level of brightness. *² Use a commercially available connection cable for PC and other video connections. *³ For both PC and AV components. *⁴ The analogue and component BNC terminals are switchable. Use the menu to select. *⁵ Does not support plug & play.

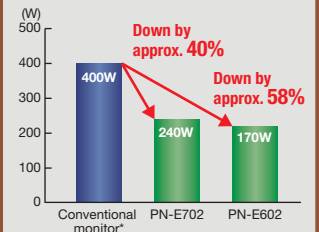
DESIGN AND SPECIFICATIONS ARE SUBJECT TO CHANGE WITHOUT PRIOR NOTICE.

Energy Efficient

The PN-E702's **full-array LED** backlight and the PN-E602's **edge-lit LED** backlight help ensure reliable performance with low power consumption. In fact, the PN-E702 consumes roughly 40% less energy than conventional CCFL-backlight displays.*

* Sharp PN-E601

Power Consumption Comparison



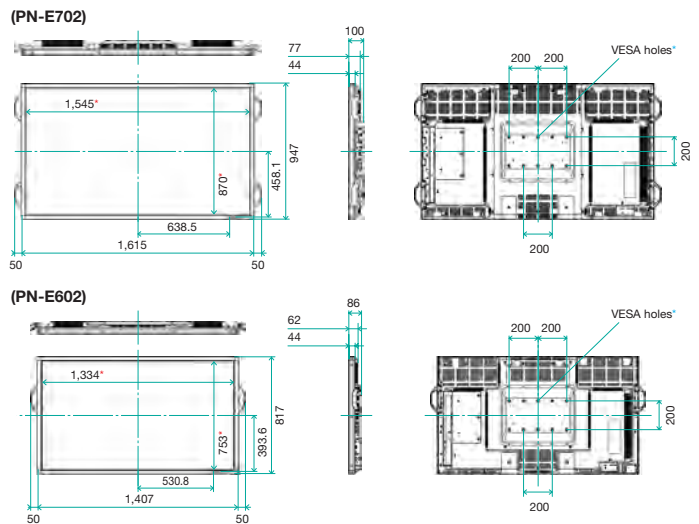
24/7 Operation

The PN-E702/E602 is rugged enough for continuous operation in the most demanding professional applications.

Sharp Digital Signage Software (option)

Sharp Digital Signage Software is versatile management software that provides total support for the creation, scheduling, distribution, and display of a wide range of content for the PN-E702/E602. It is available in three versions: PN-SS01 Stand-Alone Version, PN-SS02 Network Version, and PN-SV01 Viewer Version.

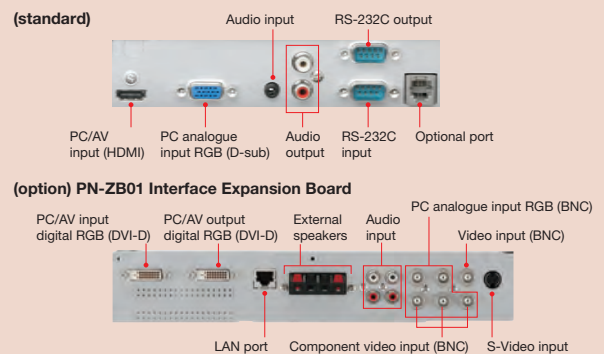
Dimensions



Units: mm

* Screen dimensions * To use the VESA-standard mounting bracket, use M6 screws that are 8 to 10 mm plus the thickness of the bracket.

Input/Output Terminals



Other Options

- PN-SS01 : Sharp Digital Signage Software (Stand-Alone Version)
- PN-SS02 : Sharp Digital Signage Software (Network Version)
- PN-SV01 : Sharp Digital Signage Software (Viewer Version)

SHARP

Sharp Corporation of Australia Pty Ltd
ABN 40 003 039 405
1 Huntingwood Drive
Huntingwood NSW 2148
ph: 02-9830-4600
http://www.sharp.net.au

Distributed by:

Sharp Corporation of New Zealand Ltd
59 Hugo Johnston Drive
Auckland
ph: 0-9-573 0111
http://www.sharp.net.nz